



Product Announcement
June 2009

T: +44 (0)844 357 3502
F: +44 (0)844 357 8036
E: sales@tech-fast.com
W: www.tech-fast.com

Plastic Fastener Company releases a new product - Hi Torque Hinge Damper

Tech-Fast is pleased to announce the release of a new motion control product.

Hi Torque Barrel Damper

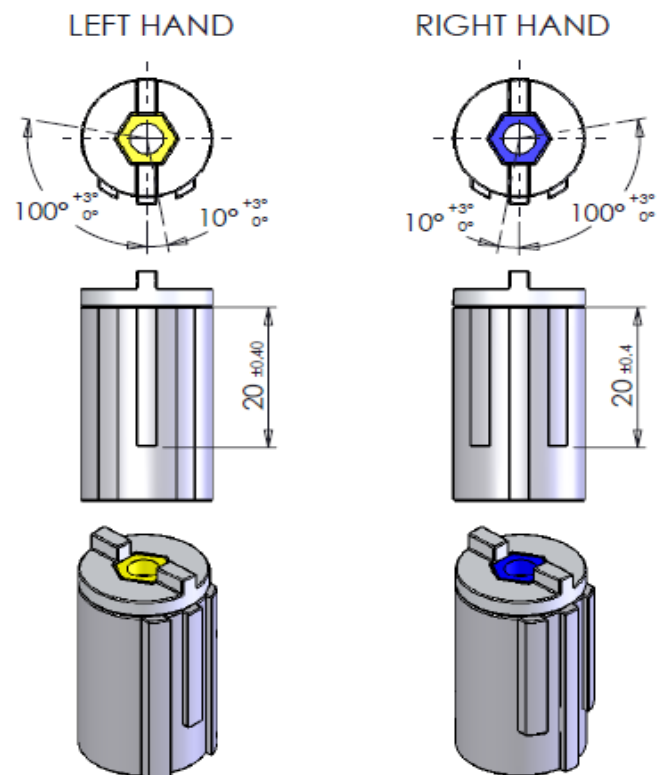
With continued success in the Panel Access & Motion Control markets the company has released a new Hi Torque metal bodied hinge damper.

Two torques are available at 70Ncm & 90Ncm operating in both left hand & right hand versions. This high level of torque is available from a body diameter of only 17mm which is significantly smaller than other hi torque devices.

Life cycles are tested to 10,000 & working temperatures rated at -30°C to +85°C. Opening/close stroke is designed for 110°.

The product is designed to be a decelerant & not a mechanical stop. A separate stop must be designed within the closure system.

Further product releases in the Panel Access & Motion Control product sectors are currently being developed & will be released during 2009.



When it comes to '**engineered solutions to everyday problems**' talk to Tech-Fast first, we are where industry comes to for the answers to their fastening & fixing needs in plastic.

Tech-Fast (a division of GBK UK Limited)

Specialises in the design & supply of technical plastic fasteners, closures & components. The company is active in all major global markets.

Web-site: www.tech-fast.com



It is the responsibility of the end user to determine the suitability of these products for use within their products and/or systems