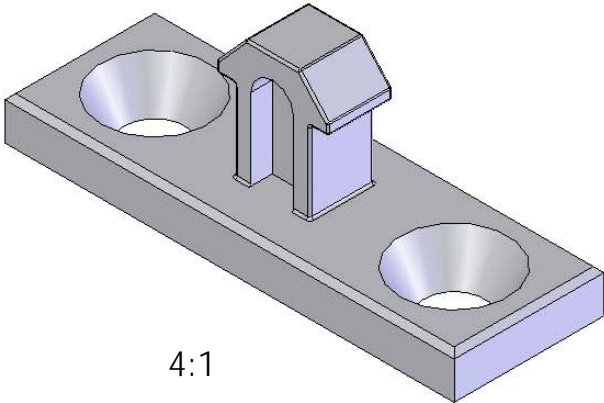
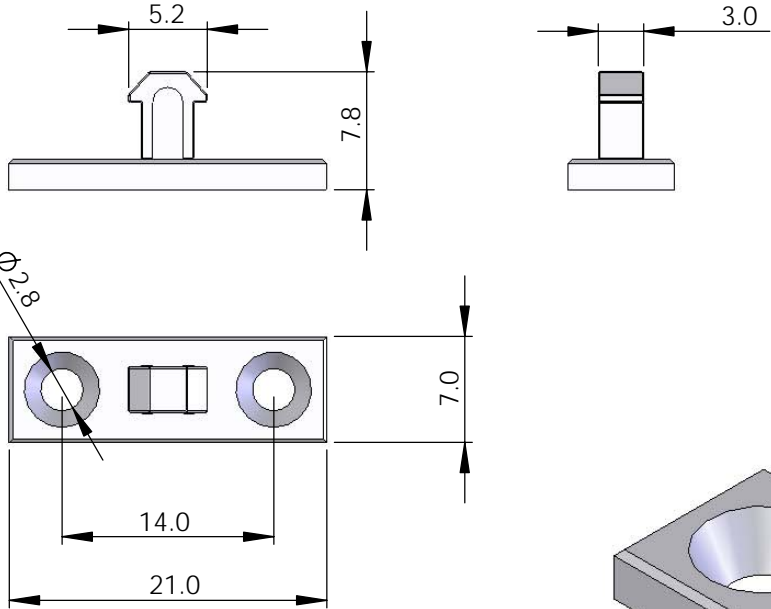


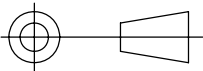
NOTES

TO BE USED WITH SMALL PUSH-PUSH LATCHES TF0305001-7 AND TF0305401

ISSUE	DATE	SIG	REMARKS
1	02/08/05		SALES DRAWING



4:1

THIRD ANGLE PROJECTION
 ALL DIMENSIONS IN MM

SCALE
 2:1
 UNLESS SPECIFIED

MATERIAL POM
 COLOUR BLACK
 TOLERANCE NOT SPECIFIED

© Tech-Fast.Com Limited
 THESE DRAWINGS AND THE SPECIFICATIONS, AND THE DATA CONTAINED THEREIN ARE THE PROPERTY OF TECH-FAST.COM LIMITED. ISSUED IN STRICT CONFIDENCE AND SHALL NOT WITHOUT PRIOR WRITTEN PERMISSION OF TECH-FAST.COM LIMITED BE PRODUCED, COPIED OR USED FOR ANY PURPOSE WHATSOEVER, EXCEPT THE MANUFACTURE OR ARTICLES FOR TECH-FAST.COM LIMITED.

TECH-FAST.COM
 email: sales@tech-fast.com
 web: www.tech-fast.com

DRAWN CJD
 DATE 02/08/05

DESCRIPTION MALE STRIKE
 PART No. TF0305008