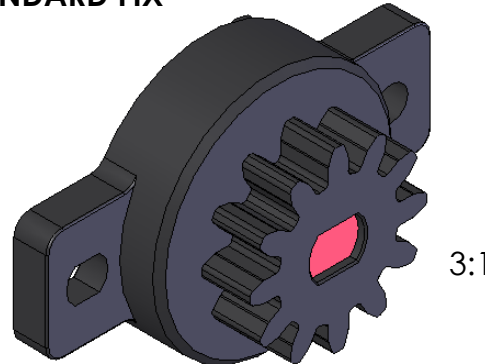


STANDARD FIX



No. TEETH	10	12	14	16
GEAR MODULE	0.8	0.8	0.5	0.8
PRESSURE ANGLE	20°	20°	20°	20°
NOTES	-	-	-	-

NOTES

TORQUE	ROTOR COLOUR	
0.12 Ncm ± 0.07	BEIGE	
0.25 Ncm ± 0.08	YELLOW	
0.30 Ncm ± 0.10	GREEN	
0.45 Ncm ± 0.12	BROWN	
0.60 Ncm ± 0.17	BLACK	
0.95 Ncm ± 0.18	RED	
1.20 Ncm ± 0.20	BLUE	
1.50 Ncm ± 0.25	PINK	
2.20 Ncm ± 0.35	ORANGE	

ISSUE	DATE	SIG	REMARKS
1	04/02/06		SALES DRAWING
2	18/04/07		REVERSE CLIP ONTO SEPARATE DRAWING

<p>THIRD ANGLE PROJECTION ALL DIMENSIONS IN MM</p>	SCALE	MATERIAL	POM / PC / RUBBER / SILICONE
	2:1 UNLESS SPECIFIED	COLOUR	BLACK
<p>TECH-FAST.COM email: sales@tech-fast.com web: www.tech-fast.com</p>	TOLERANCE	DRAWN	NOT SPECIFIED CJD
	DATE	DATE	18/04/07

<p>© Tech-Fast.Com Limited</p> <p><small>THESE DRAWINGS AND THE SPECIFICATIONS, AND THE DATA CONTAINED THEREIN ARE THE PROPERTY OF TECH-FAST.COM LIMITED, ISSUED IN STRICT CONFIDENCE AND SHALL NOT WITHOUT PRIOR WRITTEN PERMISSION OF TECH-FAST.COM LIMITED BE PRODUCED, COPIED OR USED FOR ANY PURPOSE WHATSOEVER, EXCEPT THE MANUFACTURE OR ARTICLES FOR TECH-FAST.COM LIMITED.</small></p>	
DESCRIPTION	PART No.
MOTION CONTROL ROTARY STOP DAMPER - STANDARD BASE	TF0305410