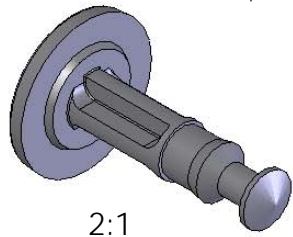
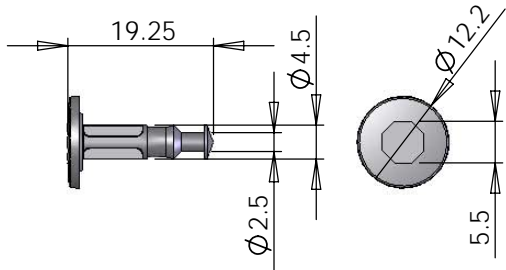
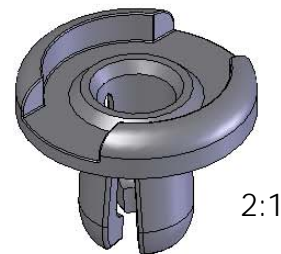
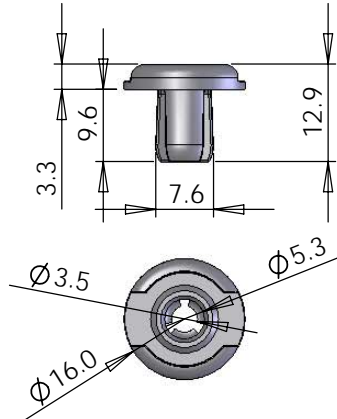


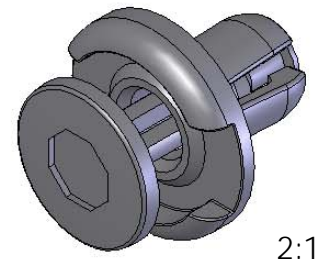
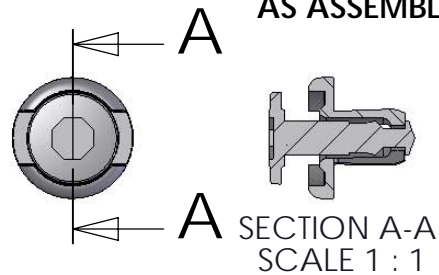
MALE - TF0405143



FEMALE - TF0405144



AS ASSEMBLED - TF0405143/44



HOLE SIZE	PANEL RANGE		HEAD HEIGHT	FIX LENGTH
	MIN	MAX		
7.5 - 8.0	3.0	6.5	3.3	9.6

NOTES

SUPPLIED AS SEPARATE COMPONENTS

ISSUE	DATE	SIG	REMARKS
1	30/12/05		SALES DRAWING

<p>THIRD ANGLE PROJECTION ALL DIMENSIONS IN MM</p>	SCALE	MATERIAL	PA66
	1:1 UNLESS SPECIFIED	COLOUR	BLACK
		TOLERANCE	NOT SPECIFIED
		DRAWN	CJD
		DATE	30/12/05

© Tech-Fast.Com Limited
 THESE DRAWINGS AND THE SPECIFICATIONS, AND THE DATA CONTAINED THEREIN ARE THE PROPERTY OF TECH-FAST.COM LIMITED, ISSUED IN STRICT CONFIDENCE AND SHALL NOT WITHOUT PRIOR WRITTEN PERMISSION OF TECH-FAST.COM LIMITED BE PRODUCED, COPIED OR USED FOR ANY PURPOSE WHATSOEVER, EXCEPT THE MANUFACTURE OR ARTICLES FOR TECH-FAST.COM LIMITED.

TECH-FAST.COM
 email: sales@tech-fast.com
 web: www.tech-fast.com

DESCRIPTION	PART No.
SINGLE STAGE RIVET	TF0405143/44