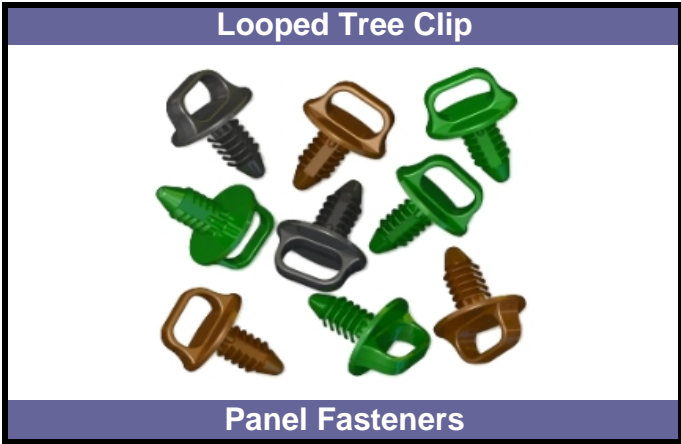
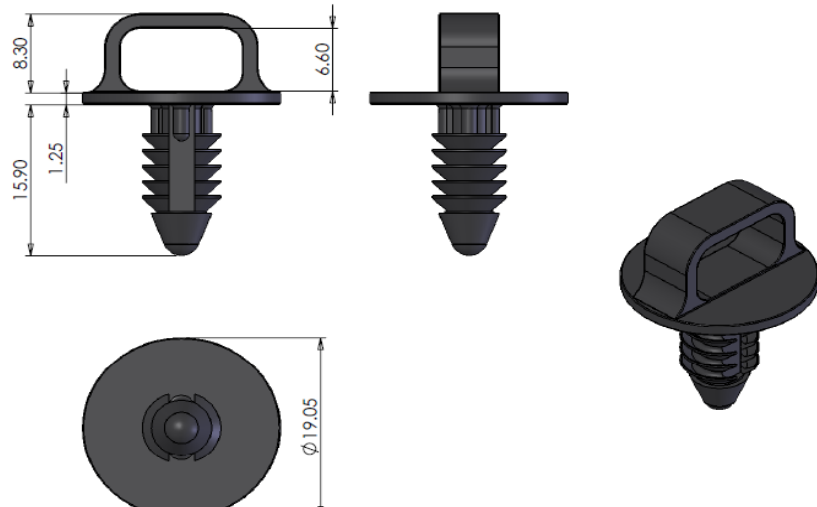


Product Data Sheet

Part Number: TF0405203
Part Description: Looped Tree Clip
Product Category: Panel Fasteners
Material: PA & PP (PP for CLEAR versions only)
Typical Markets: All markets
 Provides fixing & anchor point






PART No.	COLOUR	HOLE SIZE	PANEL RANGE		HEAD DIA	HEAD HEIGHT	LENGTH
			MIN	MAX			
TF0405203-BLK	BLACK	Ø6.4	2.7	7.3	Ø19.1	1.25	15.9
TF0405203-NAT	NATURAL	Ø6.4	2.7	7.3	Ø19.1	1.25	15.9

NOTES

ISSUE	DATE	SIG	REMARKS
1	22/01/09		SALES DRAWING

THIRD ANGLE PROJECTION
ALL DIMENSIONS IN MM




SCALE	PA66
2:1 <small>UNLESS SPECIFIED</small>	SEE TABLE
MATERIAL	NOT SPECIFIED
COLOUR	CJD
TOLERANCE	26/01/09
DRAWN	
DATE	

© Tech-Fast (A Division of GBK UK Ltd)
THESE DRAWINGS AND THE SPECIFICATIONS, AND THE DATA CONTAINED THEREIN ARE THE PROPERTY OF TECH-FAST (A DIVISION OF GBK UK LTD), ISSUED IN STRICT CONFIDENCE AND SHALL NOT WITHOUT PRIOR WRITTEN PERMISSION OF TECH-FAST (A DIVISION OF GBK UK LTD) BE PRODUCED, COPIED OR USED FOR ANY PURPOSE WHATSOEVER EXCEPT THE MANUFACTURE OR ARTICLES FOR TECH-FAST (A DIVISION OF GBK UK LTD).

DESCRIPTION	PART No.
LOOPED TREE CLIP	TF0405203

Similar solutions available from Tech-Fast



Please enquire if you are unable to find the exact component for your needs

Tech-Fast (a division of GBK UK Limited) Greenbank, High Lane, Salterforth, Lancashire BB18 5SL England
 Tel: +44 (0)844 357 3502 Fax: +44 (0)844 357 8036 Mail: sales@tech-fast.com Web: www.tech-fast.com