

Product Data Sheet

Part Number: TF0405204

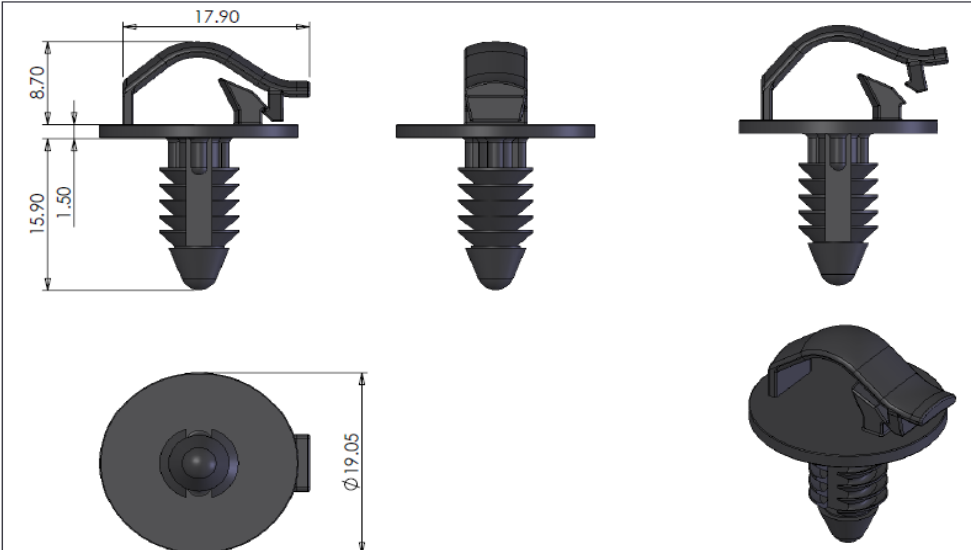
Part Description: Latched Tree Clip

Product Category: Panel Fasteners

Material: PA & PP (PP for CLEAR versions only)

Typical Markets: All markets
Provides fixing & servicable retaining feature






PART No.	COLOUR	HOLE SIZE	PANEL RANGE		HEAD DIA	HEAD HEIGHT	LENGTH
			MIN	MAX			
TF0405204-BLK	BLACK	Ø6.4	2.7	7.3	Ø19.1	1.5	15.9
TF0405204-NAT	NATURAL	Ø6.4	2.7	7.3	Ø19.1	1.5	15.9

NOTES

ISSUE	DATE	SIG	REMARKS
1	26/01/09		SALES DRAWING

THIRD ANGLE PROJECTION
ALL DIMENSIONS IN MM



SCALE: 2:1
UNLESS SPECIFIED

MATERIAL: PA66

COLOUR: SEE TABLE


TOLERANCE: NOT SPECIFIED

DRAWN: CJD

DATE: 26/01/09

© Tech-Fast (A Division of GBK UK Ltd)

THESE DRAWINGS AND THE SPECIFICATIONS, AND THE DATA CONTAINED THEREIN ARE THE PROPERTY OF TECH-FAST (A DIVISION OF GBK UK LTD), ISSUED IN STRICT CONFIDENCE AND SHALL NOT WITHOUT PRIOR WRITTEN PERMISSION OF TECH-FAST (A DIVISION OF GBK UK LTD) BE PRODUCED, COPIED OR USED FOR ANY PURPOSE WHATSOEVER, EXCEPT THE MANUFACTURE OR ARTICLES FOR TECH-FAST (A DIVISION OF GBK UK LTD).




email: sales@tech-fast.com
web: www.tech-fast.com

DESCRIPTION: LATCHED TREE CLIP

PART No.: TF0405204

Similar solutions available from Tech-Fast



Please enquire if you are unable to find the exact component for your needs

Tech-Fast (a division of GBK UK Limited) Greenbank, High Lane, Salterforth, Lancashire BB18 5SL England
Tel: +44 (0)844 357 3502 Fax: +44 (0)844 357 8036 Mail: sales@tech-fast.com Web: www.tech-fast.com